

Lautsprecher BE-1

54 x26mm 52g Gewicht 80 dB / 1W / 1m



Features

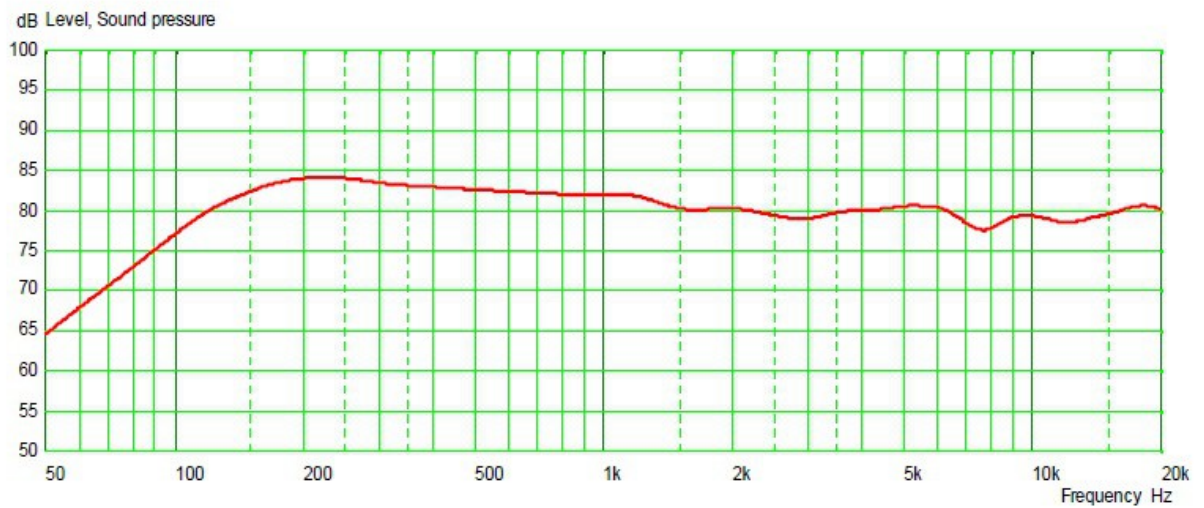
- Full range: 100Hz – 20kHz
- Extremely wide directivity; 180°
- Nominal Impedance: 4 ohm
- Diameter: 52mm (54mm OD max)
- Depth: 25.1mm
- Mass: 51.3g

Parameter	Description	min	typ	max	Units
R_e	DC resistance	-10%	4.2	+10%	Ohms
L_e	Inductance (@ 10kHz)	-	0.05	-	mH
BL	Force factor	-	2.03	-	Tm
f_s	Resonant frequency	-20%	145	+20%	Hz
SPL	Sound Pressure Level @ 1W, 1m	-	80	-	dB
d_{Drv}	Voice coil diameter	-	20.4	-	mm
M_{ms}	Moving mass	-10%	1.11	+10%	g
C_{ms}	Compliance	-10%	1.04	+10%	mmN ⁻¹
R_{ms}	Suspension Loss	-	0.27	-	Nsm ⁻¹
$X_{mech\ max}$	Maximum coil excursion (p-p)	-	8.0	-	mm
S_d	Effective piston area	-	11.04	-	cm ²
V_{AS}	Equivalent volume	-	0.18	-	L
Q_{ms}	Mechanical quality factor	-	3.84	-	
Q_{es}	Electrical quality factor	-	1.06	-	
Q_{ts}	Total quality factor	-	0.83	-	

Operating conditions

Condition	Value
Power handling (continuous, weighted pink noise)	10W
Operating temperature range	-20 to 55° C
Audio frequency range	100Hz to 20kHz

Measured Response – on axis SPL



Outline Drawing

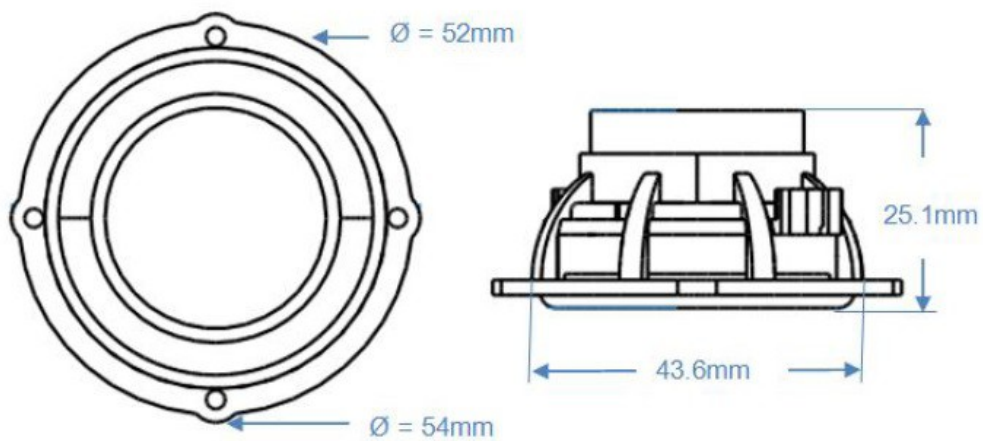


Figure 4. Nominal dimensions

Lautsprechervergleich

<u>Typ</u>	<u>Abmessungen</u>	<u>Gewicht</u>	<u>Nennleistung</u>	<u>Schalldruck</u>	
Monacor SPX-21	50x50x34 mm	90 g	12W	84 dB	
BE-1	54x26 mm	52 g	10W	80 dB	